

HOW TO ORDER

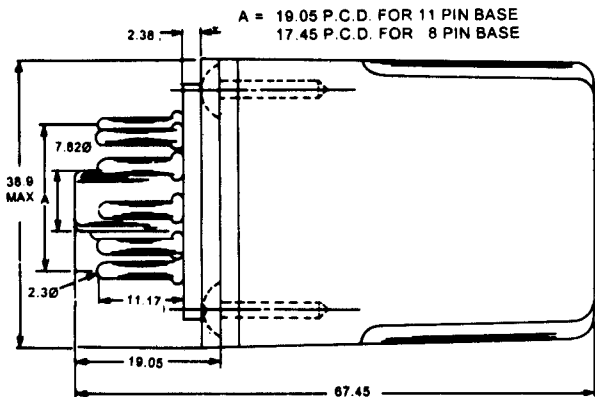
Designation IR - 3 - 230 - X

Specialities if any. eg, 'T' for 'T' bracket

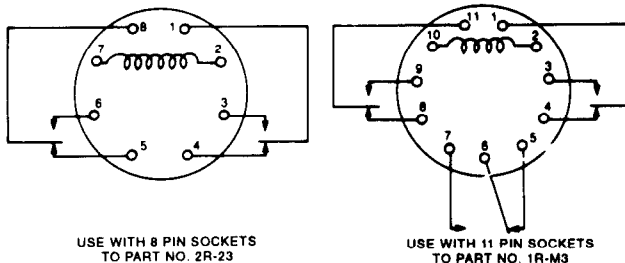
Nominal Voltage (Refer coil data)

No. of Poles 1, 2, or 3

DIMENSIONS (1R - 2R)

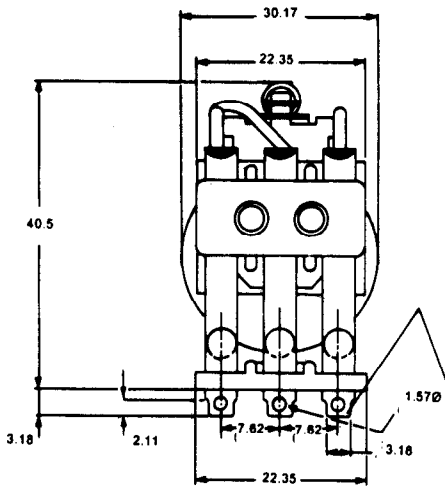


WIRING LAYOUT

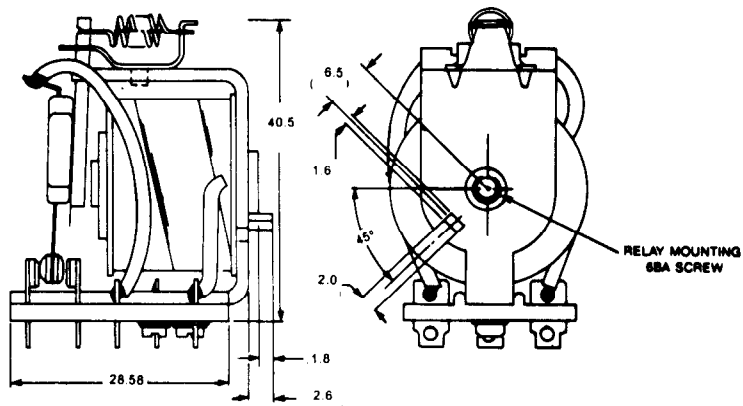


SPECIAL BASE WIRING AVAILABLE ON REQUEST

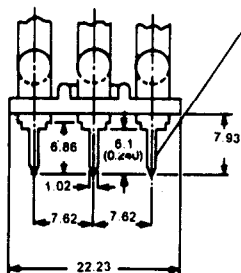
DIMENSIONS - OPEN RELAYS



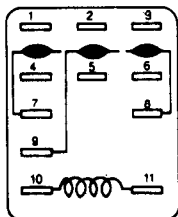
SOLDER TYPE (7R/8R)



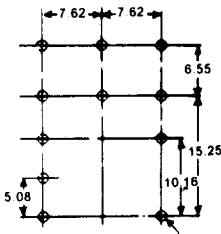
ALL TERMINALS 0.71 THICK



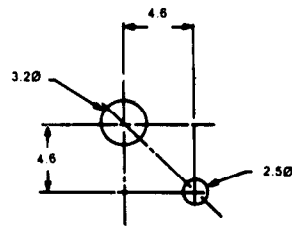
P.C. TYPE (5R/6R)



WIRING LAYOUT



PC HOLE LAYOUT 11x0 150 HOLE



PANEL DRILLING DETAILS RELAY MTG SIDE

ALL DIMENSIONS ARE IN MM
GENERAL TOLERANCE ± 0.1MM