



# O/E/N 78 AUTOMOTIVE POWER RELAY

- Compact High Performance
- Small size & Light Weight
- Enclosed
- Medium Duty
- Rubber Boot & Coupler Available

## SPECIFICATIONS

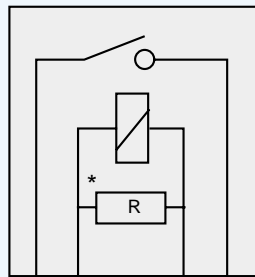
Contact Arrangement	: 1 Form A
Contact Material	: Silver Nickel
Contact Rating	
Rated Voltage	: 12 VDC
Max Continuous Current	: 22A@12VDC
Max Switching Power	: 264W
Max Switching Voltage	: 24VDC
Nominal Coil Power	: 1.44 W
(approx)	
Operating Power	: 0.92W (approx)
Life Expectancy	
Mechanical	: 10 <sup>6</sup> operations
Electrical	: 6 x 10 <sup>5</sup> operations
Frequency	: 15cpm
Contact Voltage Drop	: 200mV @ 22A (Max)
Dielectric Strength	
Between Contact and Coil	: 750 VRMS
Between Contacts	: 500 VRMS
Insulation Resistance	: 10M Ohms@ 500VDC, 25 <sup>o</sup> C,
RH50	
Operate time at Nominal Voltage	: 10 milli sec. (Typ)
Release time at Nominal Voltage	: 5 milli sec. (Typ)
Ambient Temperature	: -30 <sup>o</sup> C to +100 <sup>o</sup> C
Storage	: -40 <sup>o</sup> C to +120 <sup>o</sup> C

All dimensions are in mm. Specifications subject to change without notice.

## COIL DATA

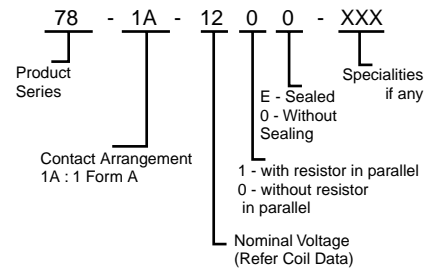
Nominal Voltage VDC	Pick-up Voltage VDC (Max)	Drop-out Voltage (Min)	Coil Resistance at 20 <sup>o</sup> C Ohms ± 10%
12	7.2	1.2	100
24	14.8	2.4	320

## CIRCUIT DIAGRAM

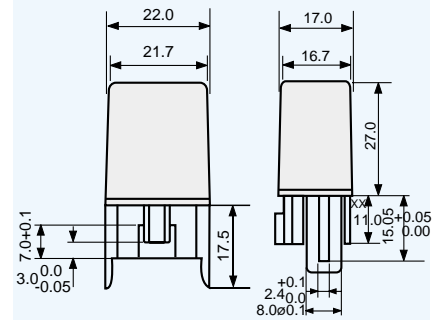


\* parallel resistor or diode optional

## HOW TO ORDER



## DIMENSIONS



## BOTTOM VIEW

