



O/E/N 73 AUTOMOTIVE POWER RELAY

- High Performance
- 4.8mm and 6.3mm Flat Terminals
- PC Version also Available
- Medium duty
- Small Size
- Mounting Sockets Available

SPECIFICATIONS

Contact Arrangement	:	1 Form A, 1 Form C
Contact Material	:	Silver Tin Oxide Silver Nickel
Contact Rating		
Rated Voltage	:	230VAC/12 VDC
Max. Voltage	:	230VAC/220VDC
Max Continuous Current		
1 Form A	:	22A (res) @ 14 VDC
	:	200W (lamp) @ 12VDC
1 Form C		
NO	:	20A (res) @ 12VDC
NC	:	10A (res) @ 12 VDC
NO	:	15A @ 28VDC
NC	:	6A @ 28VDC
Nominal Coil Power	:	1.3W
Operating Power	:	0.7W
Contact Voltage Drop at 10A (Initial)	:	50 mV (Typ)
Life Expectancy		
Mechanical	:	10 ⁶ operations
Electrical	:	6 x 10 ⁵ operations (22A @ 14VDC) 10 ⁵ operations (For other loads indicated)
Dielectric Strength		
Between Contact and Coil	:	500 VRMS
Between Open Contacts	:	500 VRMS
Insulation Resistance	:	500M Ohms@ 500VDC, 25 ⁰ C, RH50
Operate time at Nominal Voltage	:	10 milli sec. (Typ)
Release time at Nominal Voltage	:	7 milli sec. (Typ)
Max. Ambient Temperature	:	-40 ⁰ C to +85 ⁰ C
Weight	:	20 gms (approx)
Mounting /PCB	:	Socket / Fast on

Typical applications

Head Lamp Controls, Starter Motor, Defogger, A/c Controls, Radiator Fan etc.

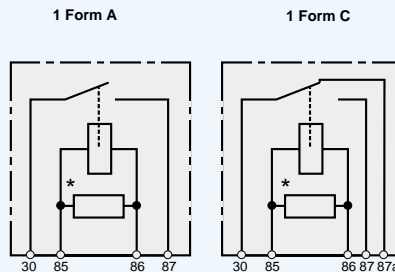
All dimensions are in mm. Specifications subject to change without notice.

COIL DATA

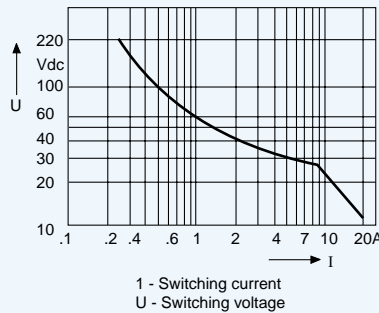
Nominal Voltage VDC	*Pick-up Voltage VDC (Max)	Drop-out Voltage VDC (Min)	Coil Resistance Ohms ±10%
06	4.5	0.6	26
12	8.2	1.2	110
24	16.4	2.4	430

**Lower pick-up Voltages available on request

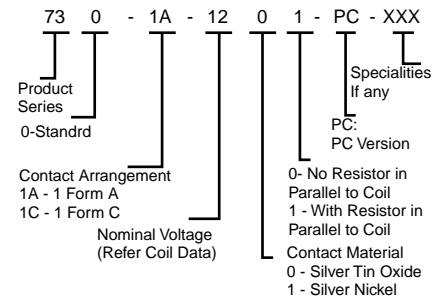
CIRCUIT DIAGRAMS



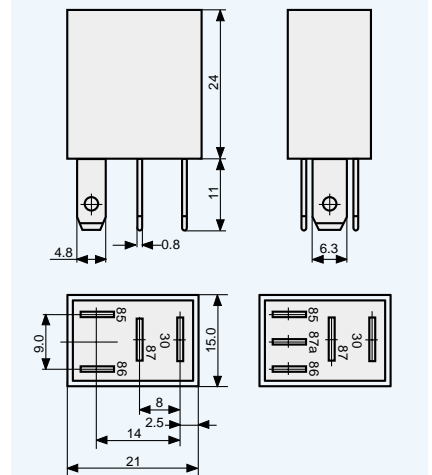
Limiting curve for power load



HOW TO ORDER



DIMENSIONS



DRILLING PATTERN

