



O/E/N 36 MINIATURE CRADLE RELAY

- Compact High Performance
- Gold Flashed Contacts
- Direct PCB type
- Dust Protected
- 5A Version Available

SPECIFICATIONS

Contact Arrangement	: 2 Form C (Std) 4 Form C (Std) 2 Form C (5A)
Contact Material	: Silver Alloy / Silver Gold Flashed
Contact Rating	
Rated Voltage	: 230VAC/28 VDC
Max. Voltage	: 250VAC/250VDC
Max Continuous Current	
For Std Version at	: 1A DC/200mA AC
24VDC/230VAC	
For Heavy Duty Version	: 5A / 2A
(2 Form C) at 20VDC/230VAC	
Max. Power Rating	
(Std Version)	: 50VA
Heavy Duty Version	: 460VA
Life Expectancy	
Mechanical	: 10 ⁷ operations
Electrical	: 10 ⁶ operations at rated load
Contact Resistance	: 50m Ohms (Initial)
Dielectric Strength	
Between Contacts and Coil	: 1000 VRMS
Between Open Contacts	: 500 VRMS
Insulation Resistance	: 1000M Ohms@ 500VDC, 25 ^o C, RH50
Operate time	
at Nominal Voltage	: 25 milli sec. Max
Release time	
at Nominal Voltage	: 15 milli sec. Max
Ambient Temperature	: -40 ^o C to +70 ^o C
Weight	: 28 gms (Approx) 2 Form C : 32 gms, 4 Form C

Typical applications

Home Appliances, Office Automation, Sealing & Packaging Machines, Security Systems, Lift Controls, Timers, Railway Application.

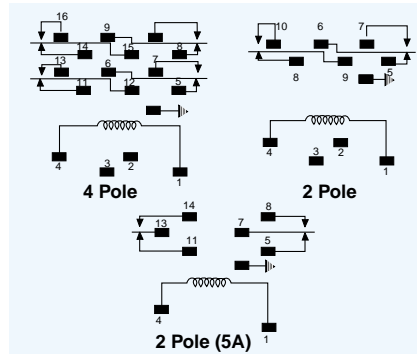
All dimensions are in mm. Specifications subject to change without notice.

COIL DATA

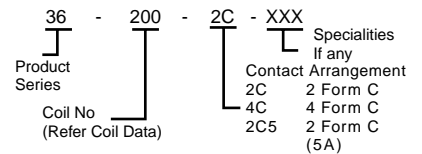
Coil number	Resistance In Ohms	Maximum Voltage (VDC)	Minimum Operate Voltage (VDC)	Minimum Operate Voltage (VDC)	Minimum Operate Voltage (VDC)
			2 C/O	4 C/O	2 C/O (5amps)
010	6	3.5	0.70	1.00	1.00
020	16	5.5	1.10	1.75	1.75
030	25	6.5	1.40	2.20	2.20
050	52	10.0	2.10	3.30	3.70
090	90	13.0	2.85	4.30	4.80
100	110	14.0	3.00	4.50	5.10
150	150	16.0	3.50	5.30	5.90
200	185	19.0	4.00	6.10	6.80
250	220	20.0	4.30	6.50	7.30
280	325	25.0	5.50	8.40	9.40
300	530	31.0	6.60	10.10	11.50
320	700	33.0	8.40	12.90	14.40
350	890	40.0	8.60	13.50	15.00
400	1250	51.0	10.60	17.00	18.50
450	1700	54.0	13.00	19.70	22.00
480	2500	70.0	15.50	25.00	28.00
500	3200	75.0	18.00	27.50	30.80
530	5800	100.0	23.00	35.80	40.00
550	7600	115.0	28.00	42.00	47.00
560	9000	135.0	33.00	50.00	56.00
580	15000	170.0	45.00	70.00	78.40
600	20900	190.0	49.00	73.30	82.00

- Nominal Voltage of these relays are approximately 125% of the minimum operate Voltage
- Maximum Voltage shown is for instantaneous operation
- Max. Coil voltage for continuous duty is 125% of the Nominal Voltage only

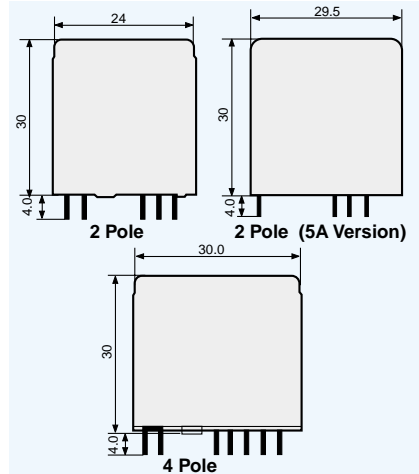
CIRCUIT DIAGRAMS



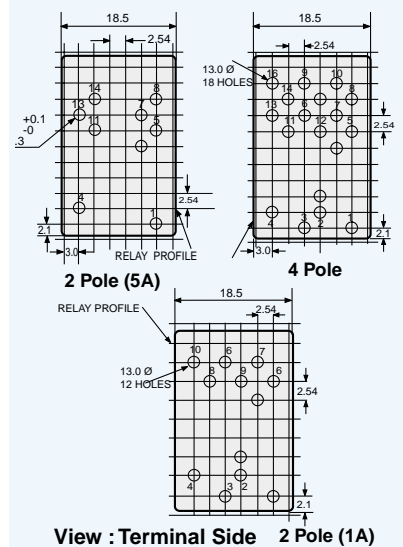
HOW TO ORDER



DIMENSIONS



DRILLING PATTERN



View : Terminal Side 2 Pole (1A)