



O/E/N 32 - W GENERAL PURPOSE POWER RELAY

- 2 Form 'Z' Contacts
- Compact High Performance
- Plug in Type
- High Capacity
- Socket Available

SPECIFICATIONS

Contact Arrangement	: 2 Form Z
Contact Material	: Silver Alloy
Contact Rating	
Rated Voltage	: 230 VAC/24 VDC
Maximum Voltage	: 440 VAC/220 V DC
Maximum Continuous Current at 230VAC/24VDC	: 20A
	: 2HP at 240 VAC
Maximum Power Rating AC Voltage	: 5750VA
Nominal Coil Power	: 3W (approx)
Operating Power	: 1.6W (approx)
Life Expectancy	
Mechanical	: 5×10^5 operations
Electrical	: 5×10^4 operations at Rated Load
Contact Resistance (Initial)	: 50 milli Ohms (Max)
Dielectric Strength	
Between Contacts & Coil	: 1000 VRMS
Between Open Contacts	: 500 VRMS
Insulation Resistance	: 100 Meg.Ohms at 500VDC, 25°C, RH50
Operate time at Nominal Voltage	: 30 milli sec.(Max)
Release time at Nominal Voltage	: 30 milli sec.(Max)
Ambient Temperature	: -10°C to +55°C
Weight	: 260 gms (approx)

Typical applications

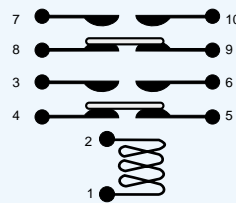
Home Appliances, Office Automation, Voltage Stabilizers, Power Supplies, Battery Chargers etc.

All dimensions are in mm. Specifications subject to change without notice.

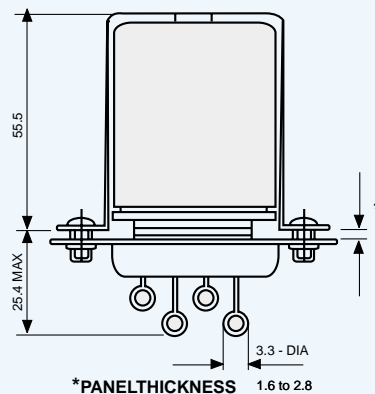
COIL DATA

Nominal Voltage	DC		AC	
	Pick-up Voltage VDC (Max)	Coil Resistance Ohms $\pm 10\%$	Pick-up Voltage VAC (Max)	Coil Resistance Ohms $\pm 10\%$
6	4	14	5	0.9
12	9	50	10	4
24	18	250	20	18
50	40	1200	44	100
115	90	6250	95	375
230	180	25000	185	1600
250	200	30000	-	-

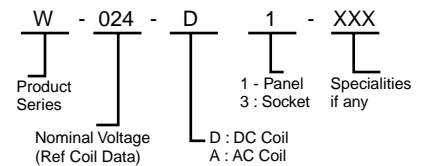
CIRCUIT DIAGRAM



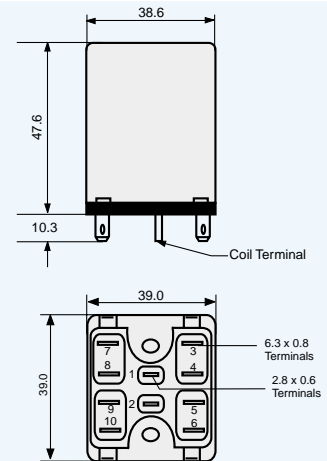
SOCKET MOUNTING VERSION



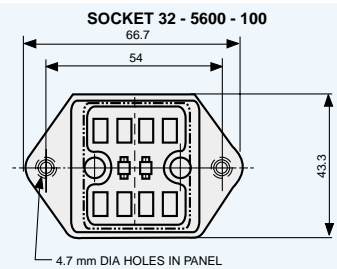
HOW TO ORDER



DIMENSIONS



SOCKET



PANEL CUT-OUT

